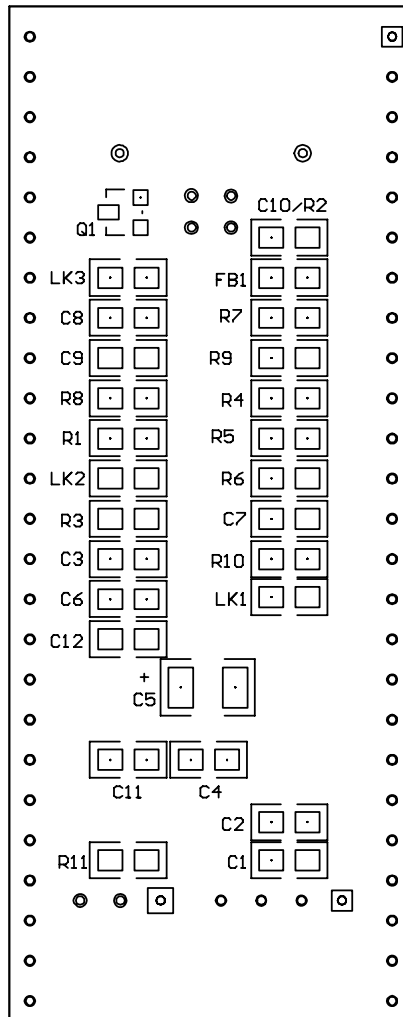


Configuring USB I/O 24 DIP in Self Powered Option



Underside View

Self Powered Option

To run USB I/O in Self Powered mode

1. Remove Components FB & C10
2. Remove Link 2 (LK2)
3. Place components R2,R7 & R9
4. Apply 5V Max Power to VFT Pin

Where R2 = 10k, R7 = 4k7, R9 = 10k

Schematic

